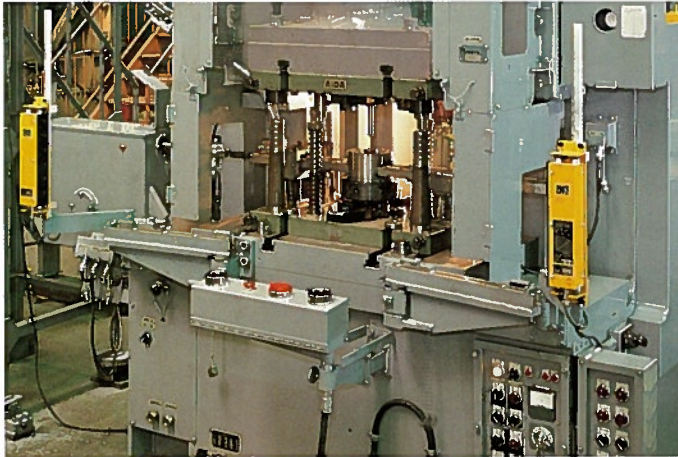
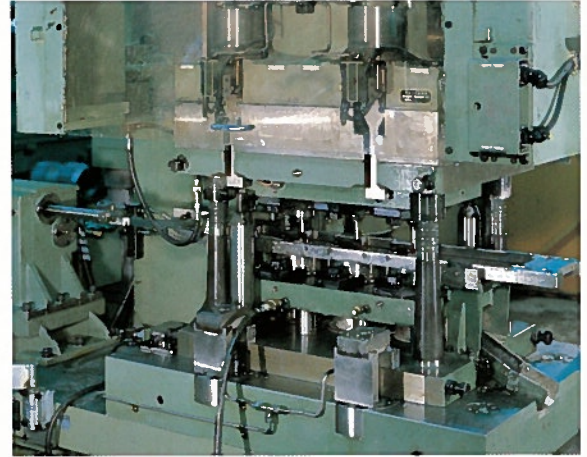


Drastically reduced die setting time

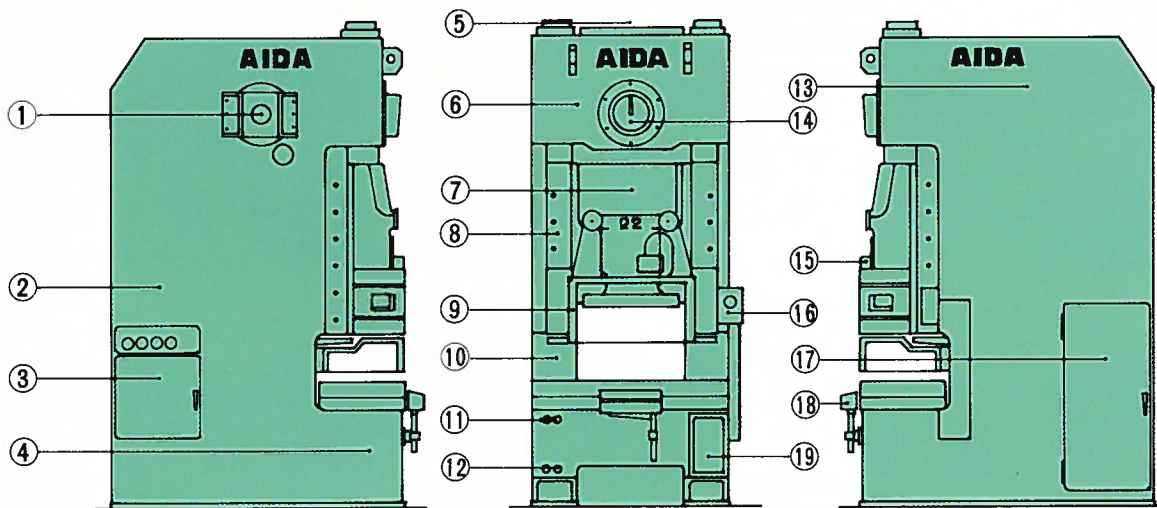
Die lifter



Die clamber

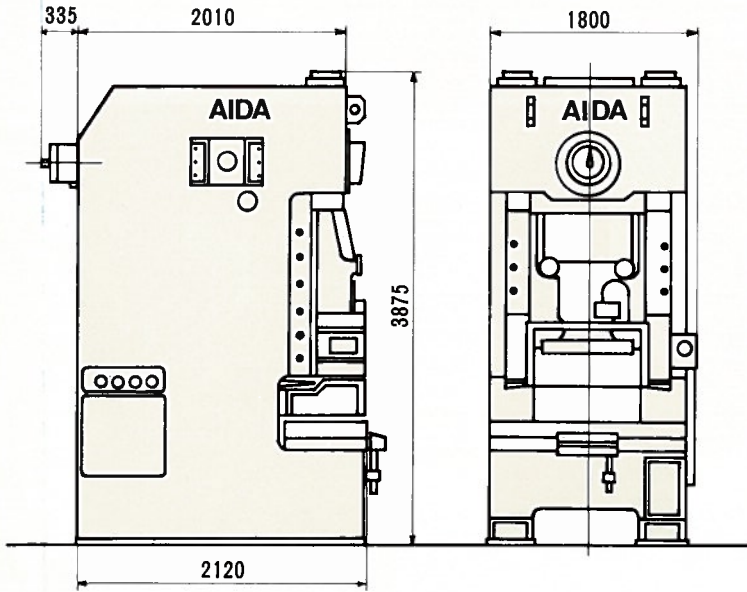


Superior operability



- | | |
|--|---|
| ① Power take-off shaft for automation | ⑪ Lever switch for flywheel brake |
| ② Centralized lubrication system | ⑫ Air outlet |
| ③ Air/oil control box | ⑬ Clutch and brake (AIDA Wet Type – Pat. P) |
| ④ Bed equipped with knock-out device | ⑭ Crank angle indicator |
| ⑤ Balance cylinder built in the frame | ⑮ Slide adjustment indicator |
| ⑥ Gears (2 step reducing type – driven in an oil-bath) | ⑯ Overload protector |
| ⑦ Slide (with slide adjusting device) | ⑰ Control panel |
| ⑧ Slide guide | ⑱ Operation box |
| ⑨ Safety shutter | |
| ⑩ Frame of high rigidity (honey-comb structure) | ⑲ Centralized operation panel |

CF1-220C (Approx. measurement)



CF1 Series (Main specification)

Model	CF1-220C	CF1-400S	CF1-630S
Tonnage capacity (tf)	220	400	630
Rated tonnage point (mm)	7	10	10
Slide stroke length (mm)	160	400	400
S.P.M. (SPM)	25~40	20~30	15~25
Die height (mm)	420	900	900
Slide adjustment (mm)	30	50	50
Slide area (LR × FB) (mm)	700 × 500	750 × 750	800 × 800
Bolster area (LR × FB) (mm)	1050 × 600	750 × 750	800 × 800
Frame gap (mm)	280		
Work height (mm)	950	700	700
Main motor (KW)	VS22	VS37 × 2	SCR75
Knockout capacity (tf)	10	32	40
Knockout stroke (mm)	70	150	150
Knockout pin lifter (tf)	1	1	1
Dia of knockout pin (mm)	φ50 × 3	φ60	φ60

Precision cold forging processing and transfer technology are effectively combined for conserving resources and energy.

AIDA COLD FORGING TRANSFER PRESS "CFT" series



Complete series ranging from 400 tons up to 1200 tons capacity.

Enabling change to No Grinding from No Machining

AIDA COLD FORGING PRESS "K" series



Complete series ranging from 160 tons up to 1000 tons capacity.

AIDA ENGINEERING, LTD. (JAPAN)

2-10 Ohyama-cho, Sagami-hara, Kanagawa 229-1181, Japan
Phone: (81)427-72-5258 Facsimile: (81)427-58-1169